

View Glass Balustrade

Minimalist balustrading system which combines the most trend setting esthetic with the highest demands in safety.

It consists of a system in "U" designed to lodge laminated safety glass and which can be fixed to wrought iron or to the edge of the iron work.

It comes in two versions:

-View Glass which can resist a windload of 1,0 kN/m applied at 1.1 metres from its bottom part, therefore being suitable for its use in the following areas: A1, A2, B, C1, C2, C3, C4 and E, in accordance with Eurocode1.

-View Glass Pro, reinforced system which can resist a windload of 3,0 kN/m. This system, with a greater resistance, is suitable for use in the areas A, B, C, D and E of the Eurocode 1..

This last variant allows an embedded installation with the framework edge.



View Glass Balustrade

Possibilities

- Bar balustrading
- Bar balustrading with top edge

Finishes

- Colour powder coating (RAL, mottled and rough)
- Wood effect powder coating
- Anti-bacterial powder coating
- Anodized

Maximum height

1.100 mm.

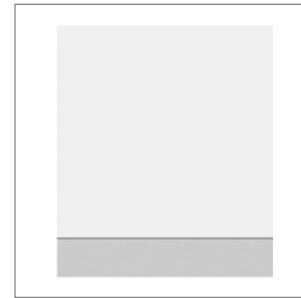
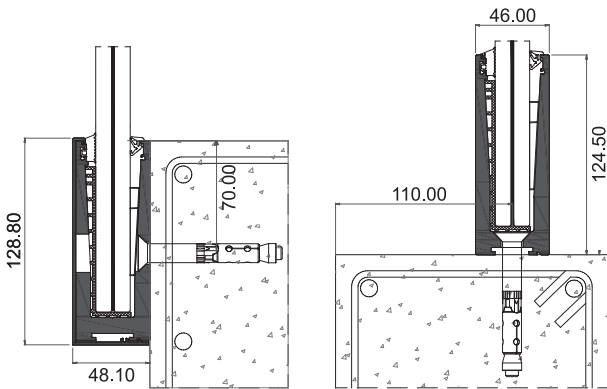
Tests according to UNE 85237:1991, UNE 85.238:1991 and UNE 85240:1990 norms, requirements established in Eurocode 1 according to EN 1991-1-1:2003 /AC: 2010

- 1 – Static horizontal test towards the exterior.
- 2 – Static horizontal test towards the interior.
- 3 – Dynamic test with mild object.
- 4 – Dynamic test with hard object.
- 5 – Verification of the specifications of the Eurocode according to the table 6.12 for categories of use of 3kN/m.

CLASSIFICATION ACCORDING TO UNE 85240:1990:
Class A-EXCELLENT

Reference test on the balustrading with extruded aluminum and glass, with top free edge bar at total height 1100mm. (H) x 1500mm. (L)

Reference test on the balustrading with extruded aluminum and glass, at total height 1100mm. (H) x 1500mm. (L)



VIEW GLASS PRO (reinforced version)

Glass

This balustrade system enables 12 glazing possibilities:
10, 8 or 6 mm double glass joined by up to 4 polyvinyl butyrals of 0.38 mm.
The use of tempered glass is recommended.

| GLASS | | | | |
|--------------|--------------|--------------|--------------|-----------|
| COMPOSITIONS | | | | TYPE |
| 10- 1.52 -10 | 10- 1.14 -10 | 10- 0.76 -10 | 10- 0.38 -10 | LAMINATED |
| 8- 1.52 -8 | 8- 1.14 -8 | 8- 0.76 -8 | 8- 0.38 -8 | |
| 6- 1.52 -6 | 6- 1.14 -6 | 6- 0.76 -6 | 6- 0.38 -6 | |